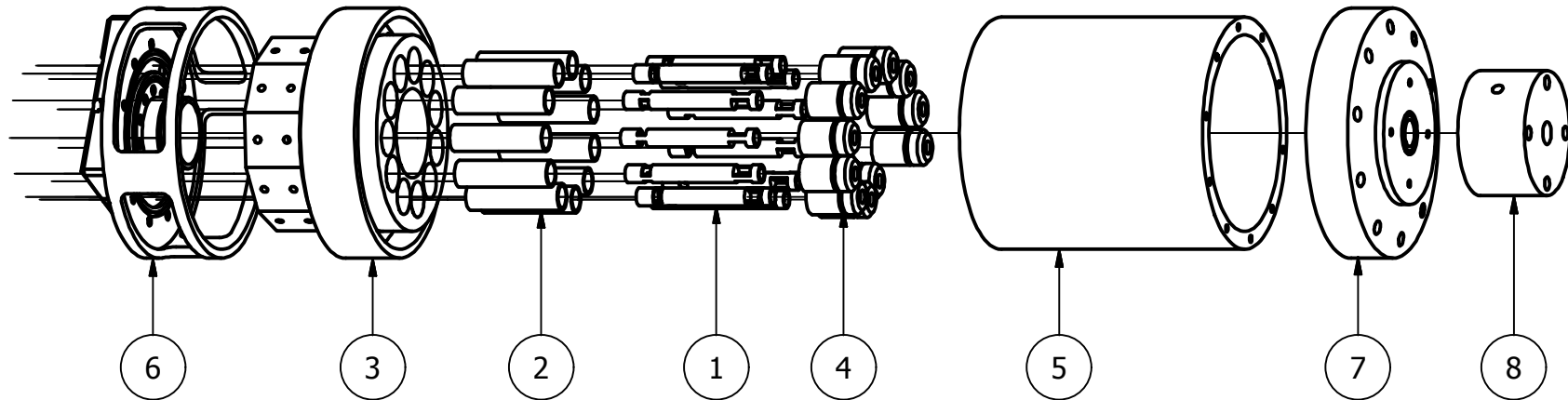
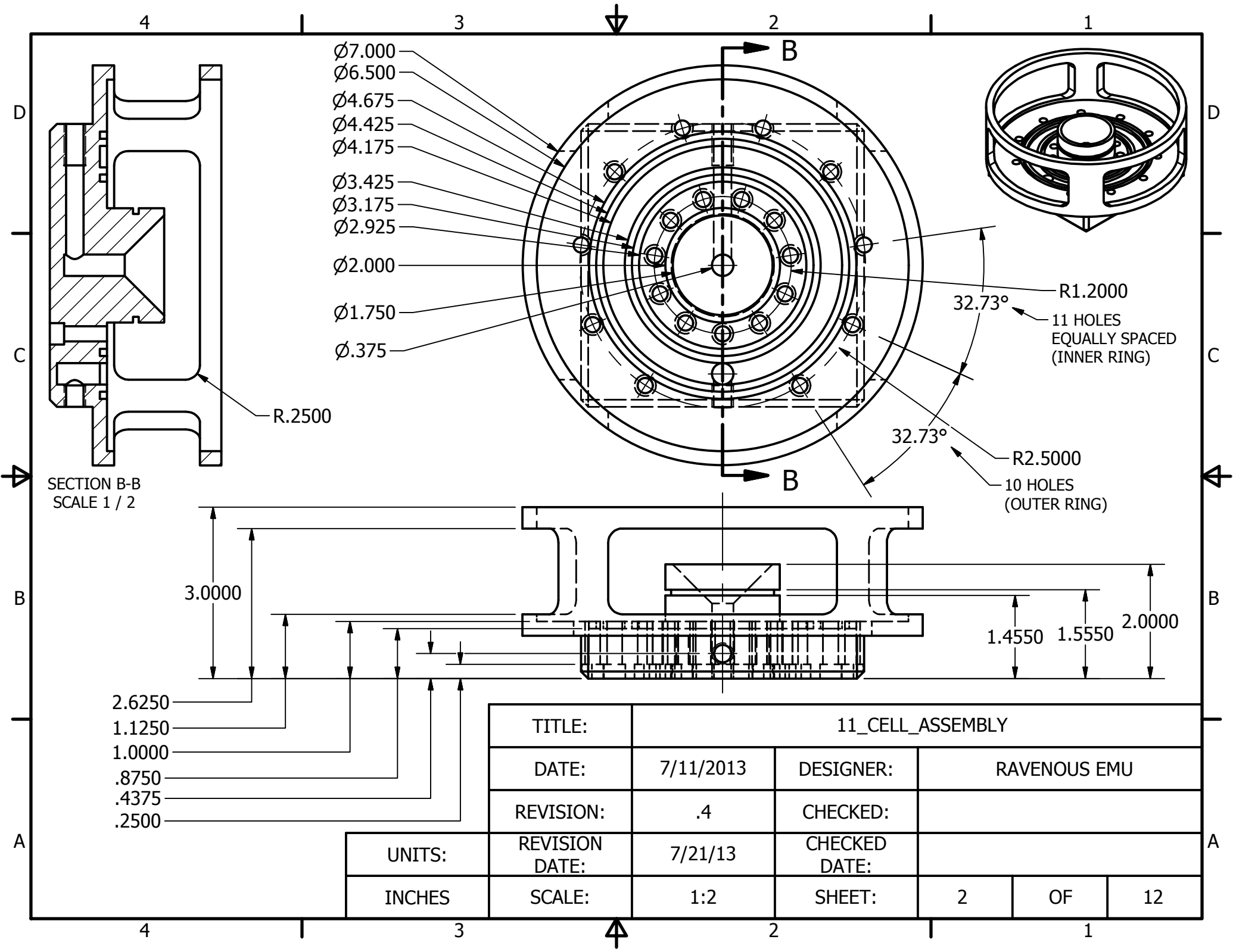


PARTS LIST			
ITEM	QTY	PART NUMBER	DESCRIPTION
1	11	ANODE_INNER	
2	11	CATHODE_OUTER	
3	1	UPPER_BASE	
4	11	CELL_CAP	
5	1	BODY_TUBE	
6	1	LOWER_BASE	
7	1	BODY_TOP	
8	1	BODY_TOP_BLOCK	



TITLE:	11_CELL_ASSEMBLY			
DATE:	7/11/2013	DESIGNER:	RAVENOUS EMU	
REVISION:	.4	CHECKED:		
UNITS:	REVISION DATE:	CHECKED DATE:		
INCHES	SCALE:	SHEET:	1	OF 12



SECTION B-B
SCALE 1 / 2

- Ø7.000
- Ø6.500
- Ø4.675
- Ø4.425
- Ø4.175
- Ø3.425
- Ø3.175
- Ø2.925
- Ø2.000
- Ø1.750
- Ø.375

R.2500

R1.2000

11 HOLES
EQUALLY SPACED
(INNER RING)

R2.5000

10 HOLES
(OUTER RING)

3.0000

1.4550

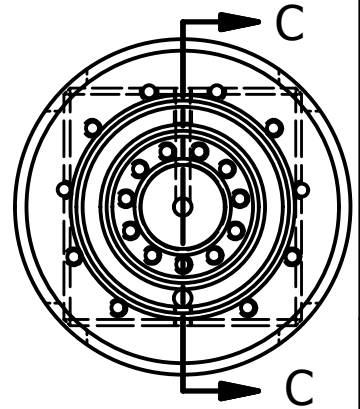
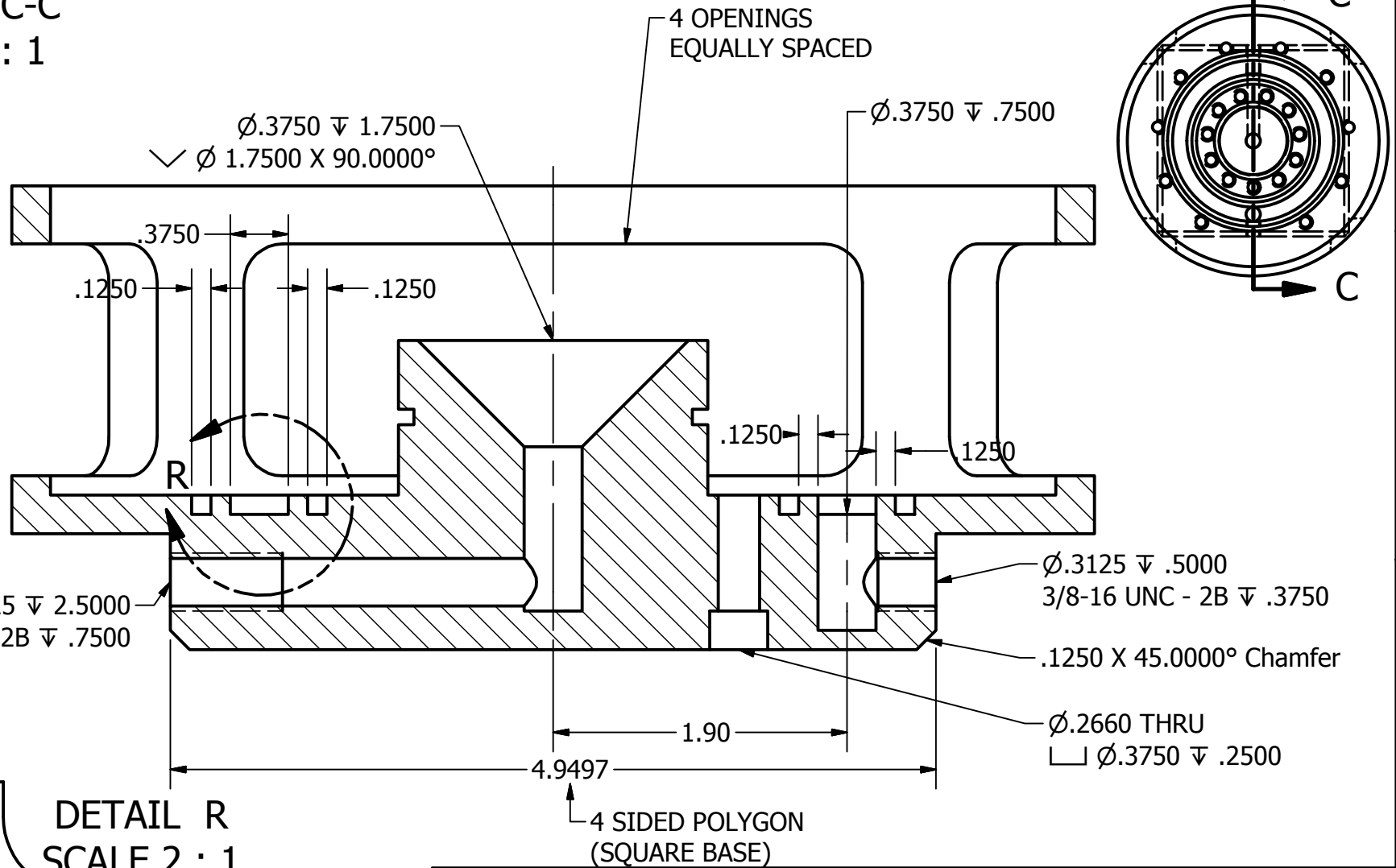
1.5550

2.0000

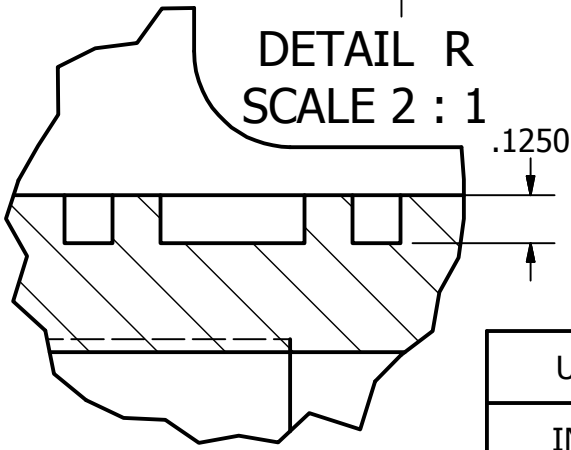
- 2.6250
- 1.1250
- 1.0000
- .8750
- .4375
- .2500

TITLE:	11_CELL_ASSEMBLY						
DATE:	7/11/2013	DESIGNER:	RAVENOUS EMU				
REVISION:	.4	CHECKED:					
UNITS:	REVISION DATE:	CHECKED DATE:					
INCHES	SCALE:	SHEET:	2	OF	12		

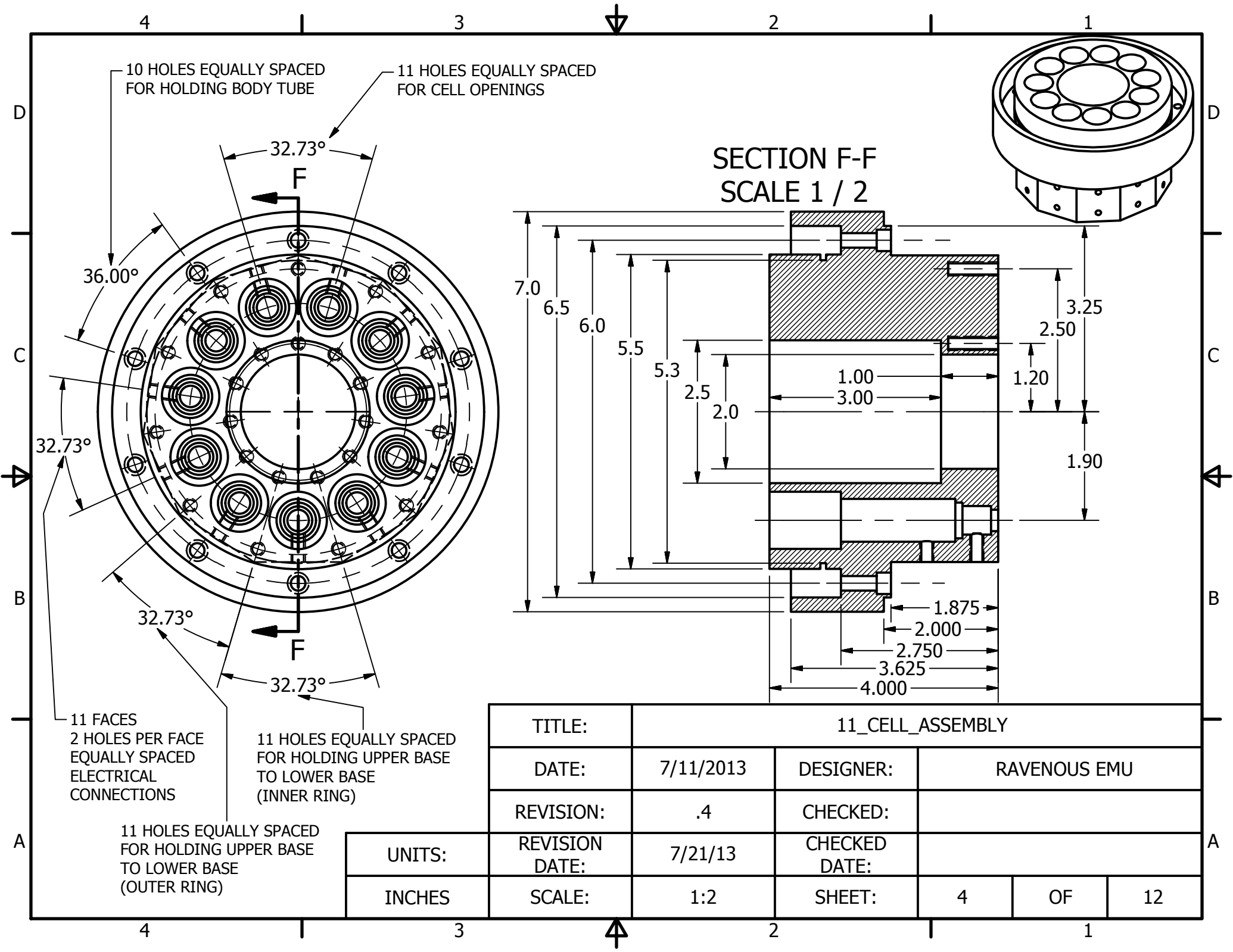
SECTION C-C
SCALE 1 : 1



DETAIL R
SCALE 2 : 1



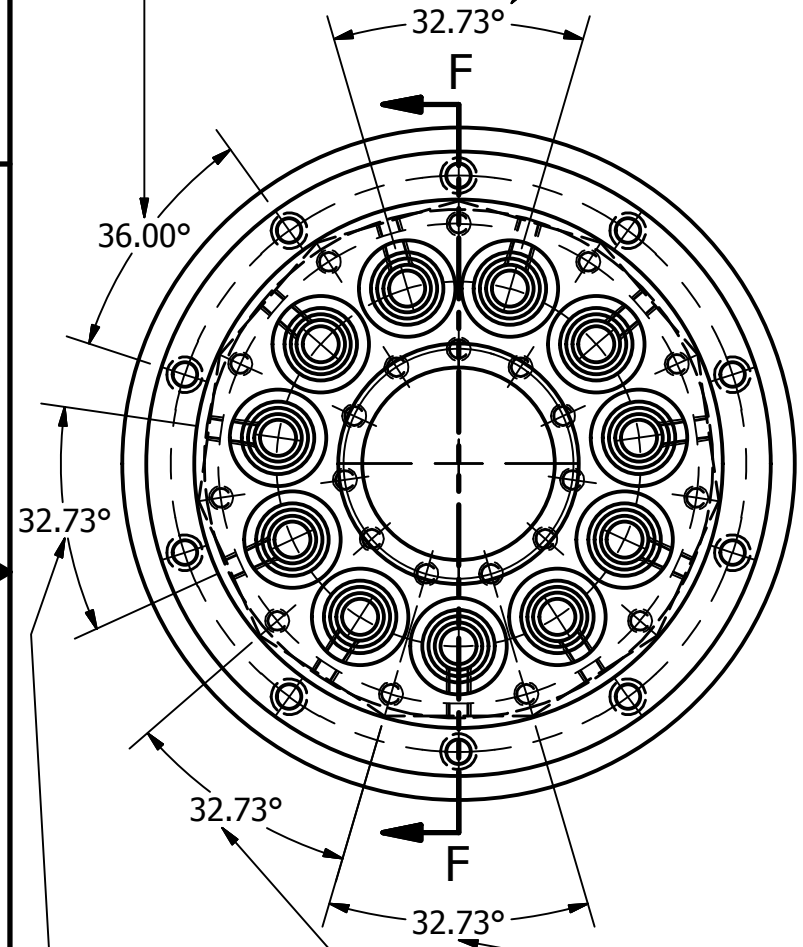
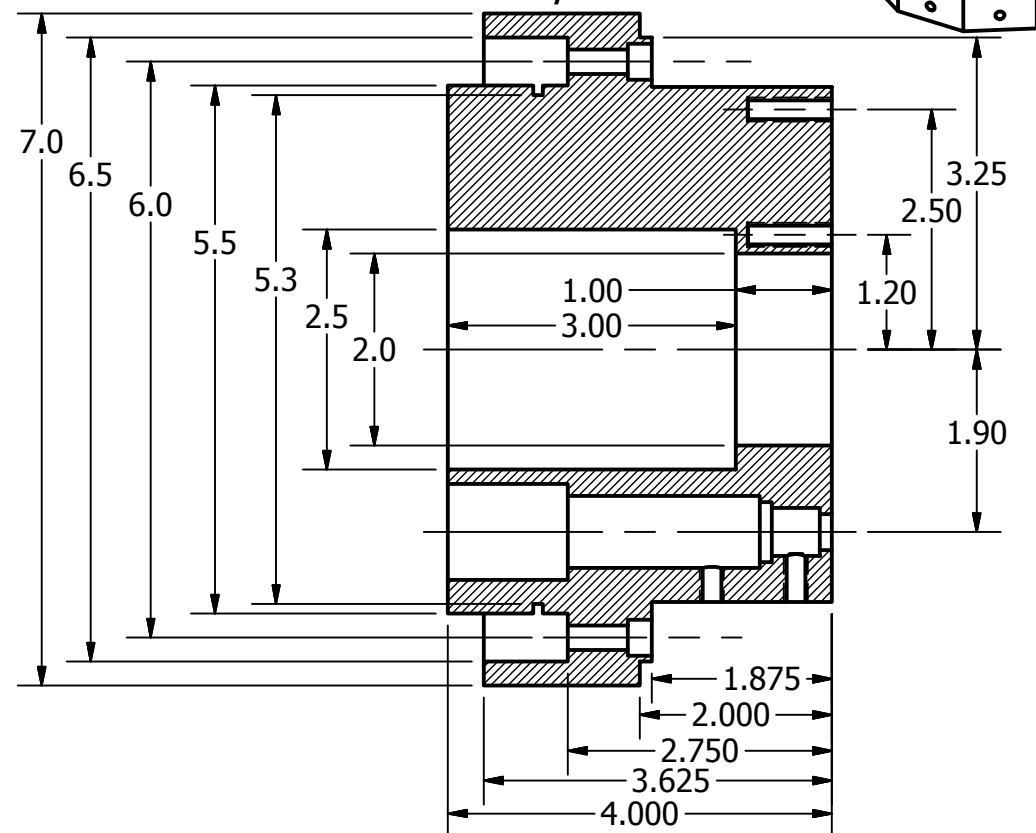
TITLE:	11_CELL_ASSEMBLY						
DATE:	7/11/2013	DESIGNER:	RAVENOUS EMU				
REVISION:	.4	CHECKED:					
UNITS:	REVISION DATE:	CHECKED DATE:					
INCHES	SCALE:	1:1	SHEET:	3	OF	12	



10 HOLES EQUALLY SPACED FOR HOLDING BODY TUBE

11 HOLES EQUALLY SPACED FOR CELL OPENINGS

SECTION F-F
SCALE 1 / 2

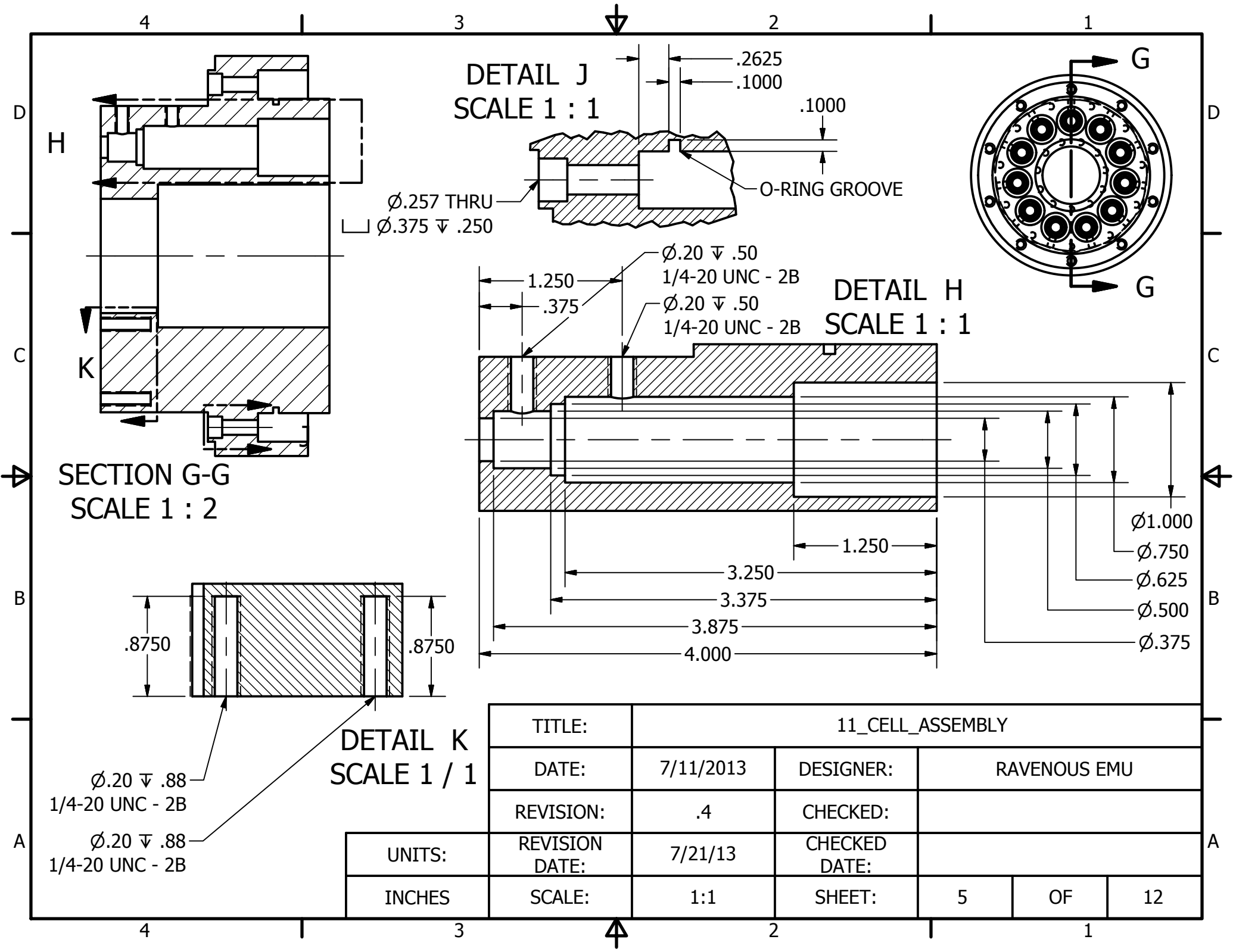


11 FACES
2 HOLES PER FACE
EQUALLY SPACED
ELECTRICAL
CONNECTIONS

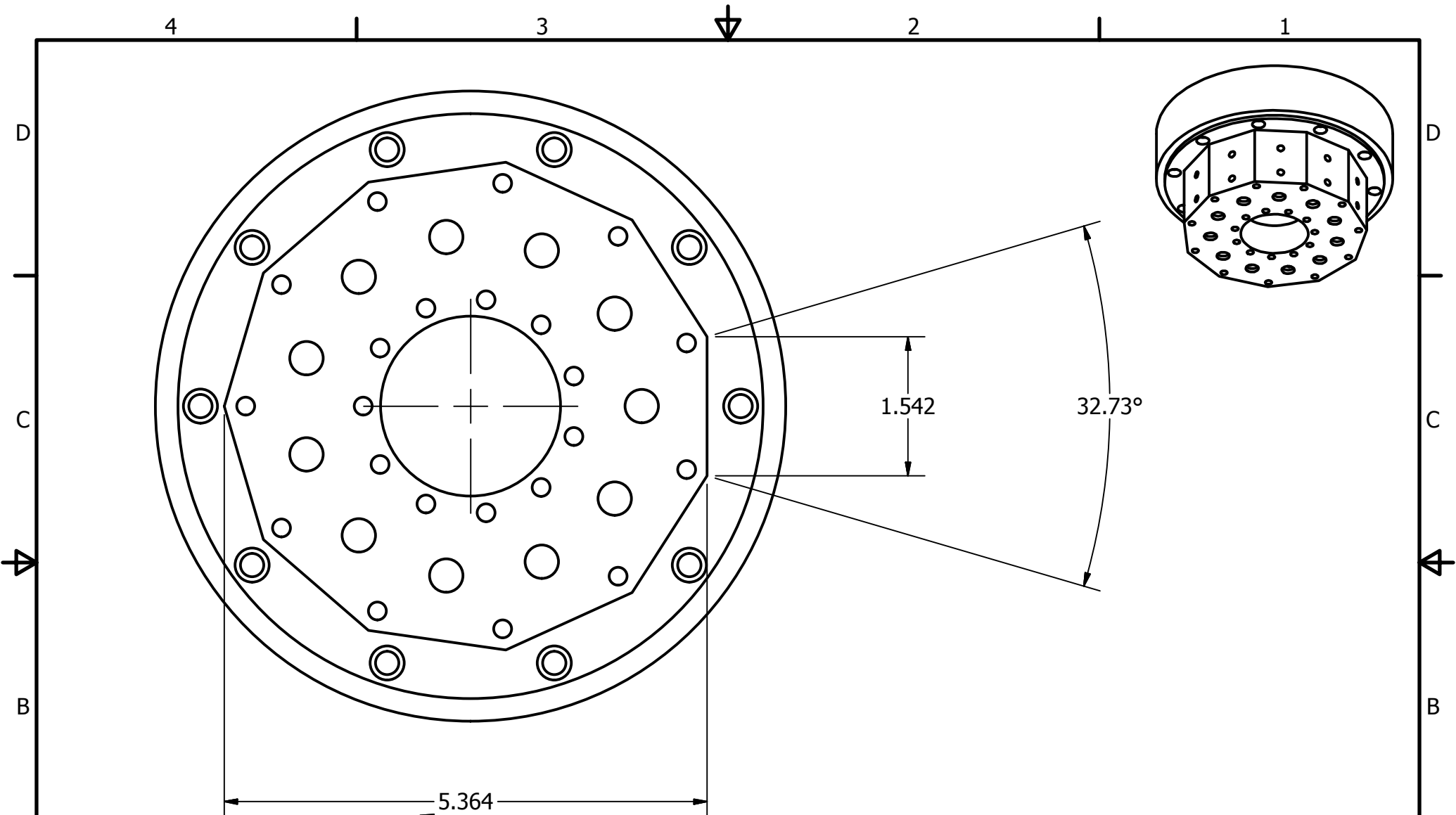
11 HOLES EQUALLY SPACED
FOR HOLDING UPPER BASE
TO LOWER BASE
(INNER RING)

11 HOLES EQUALLY SPACED
FOR HOLDING UPPER BASE
TO LOWER BASE
(OUTER RING)

TITLE:	11_CELL_ASSEMBLY						
DATE:	7/11/2013	DESIGNER:	RAVENOUS EMU				
REVISION:	.4	CHECKED:					
UNITS:	REVISION DATE:	CHECKED DATE:					
INCHES	SCALE:	1:2	SHEET:	4	OF	12	

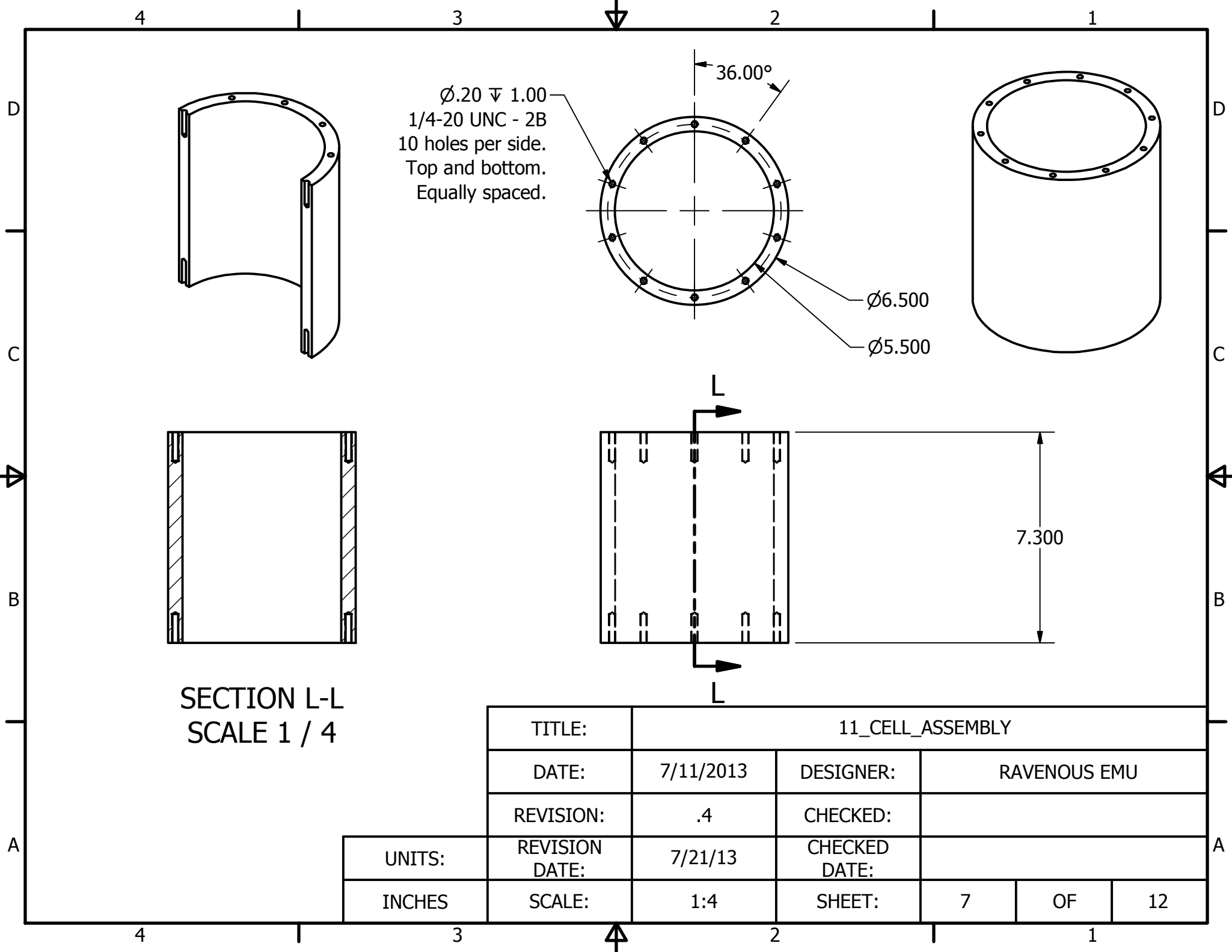


TITLE:	11_CELL_ASSEMBLY					
DATE:	7/11/2013	DESIGNER:	RAVENOUS EMU			
REVISION:	.4	CHECKED:				
UNITS:	REVISION DATE:	CHECKED DATE:				
INCHES	SCALE:	1:1	SHEET:	5	OF	12

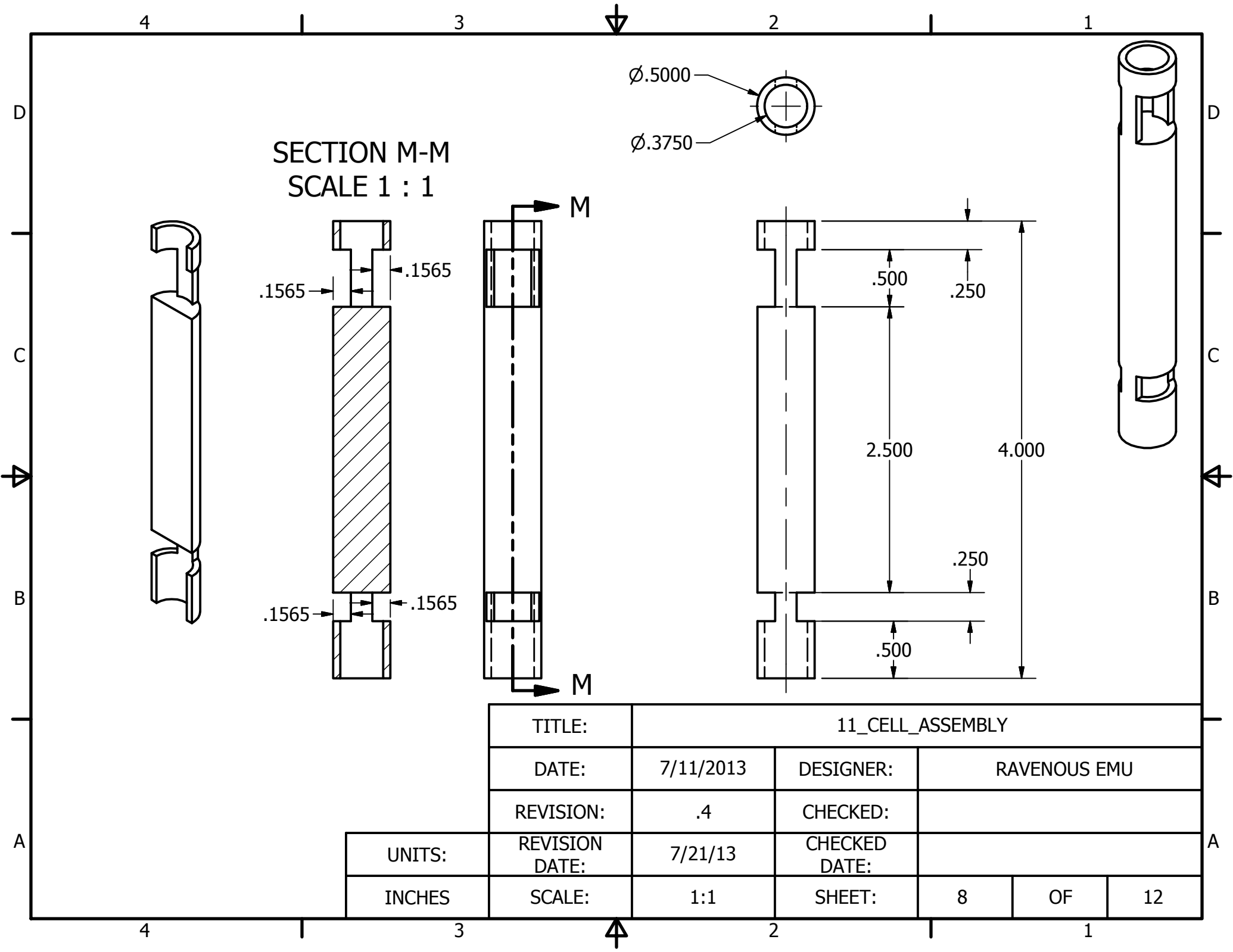


11 SIDED POLYGON
 EACH FACE HAS 2 HOLES
 FOR ELECTRICAL CONNECTIONS
 (SEE SHEET 5: DETAIL H)

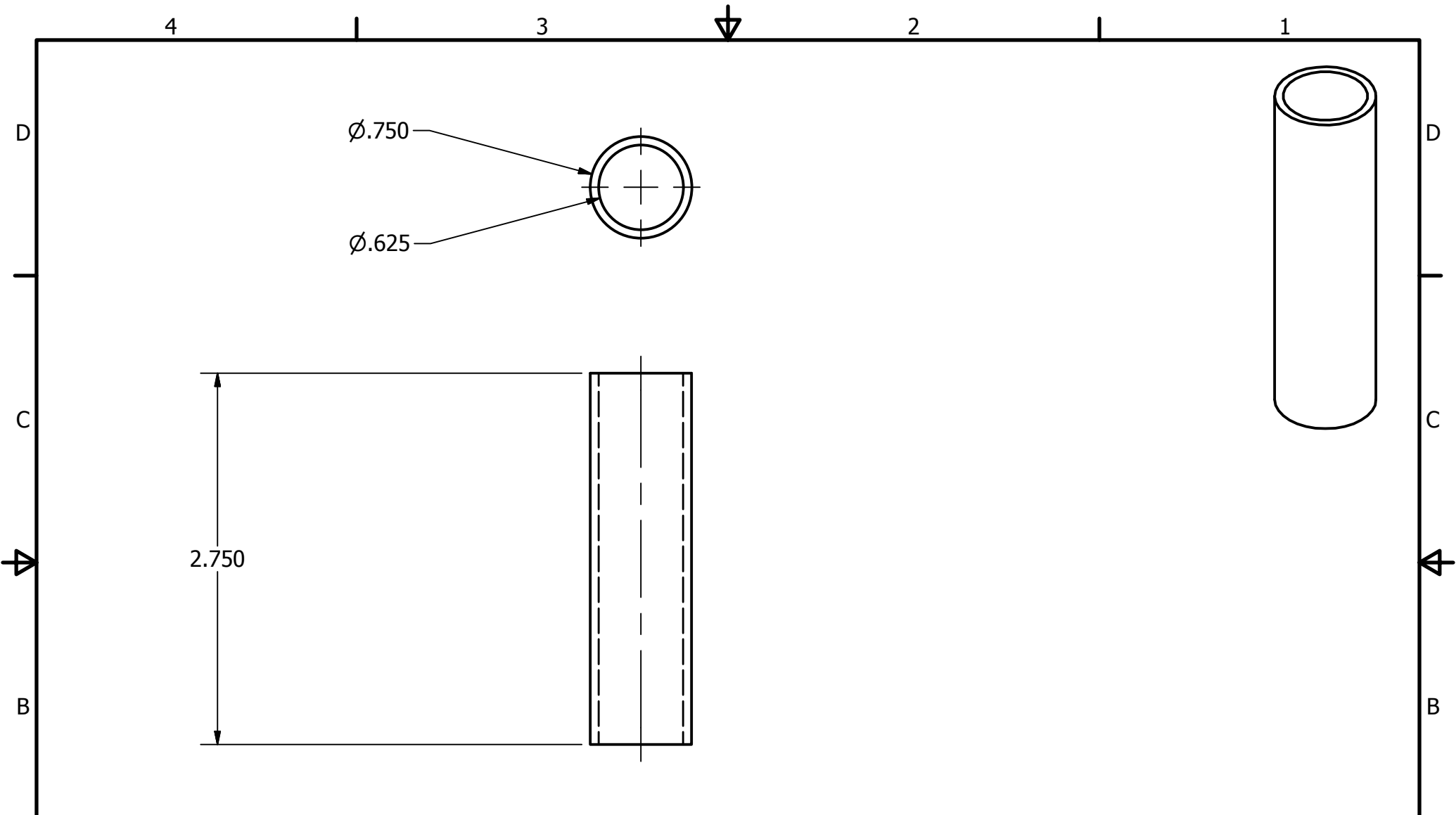
TITLE:	11_CELL_ASSEMBLY			
DATE:	7/11/2013	DESIGNER:	RAVENOUS EMU	
REVISION:	.4	CHECKED:		
UNITS:	REVISION DATE:	CHECKED DATE:		
INCHES	SCALE:	SHEET:	6	OF 12



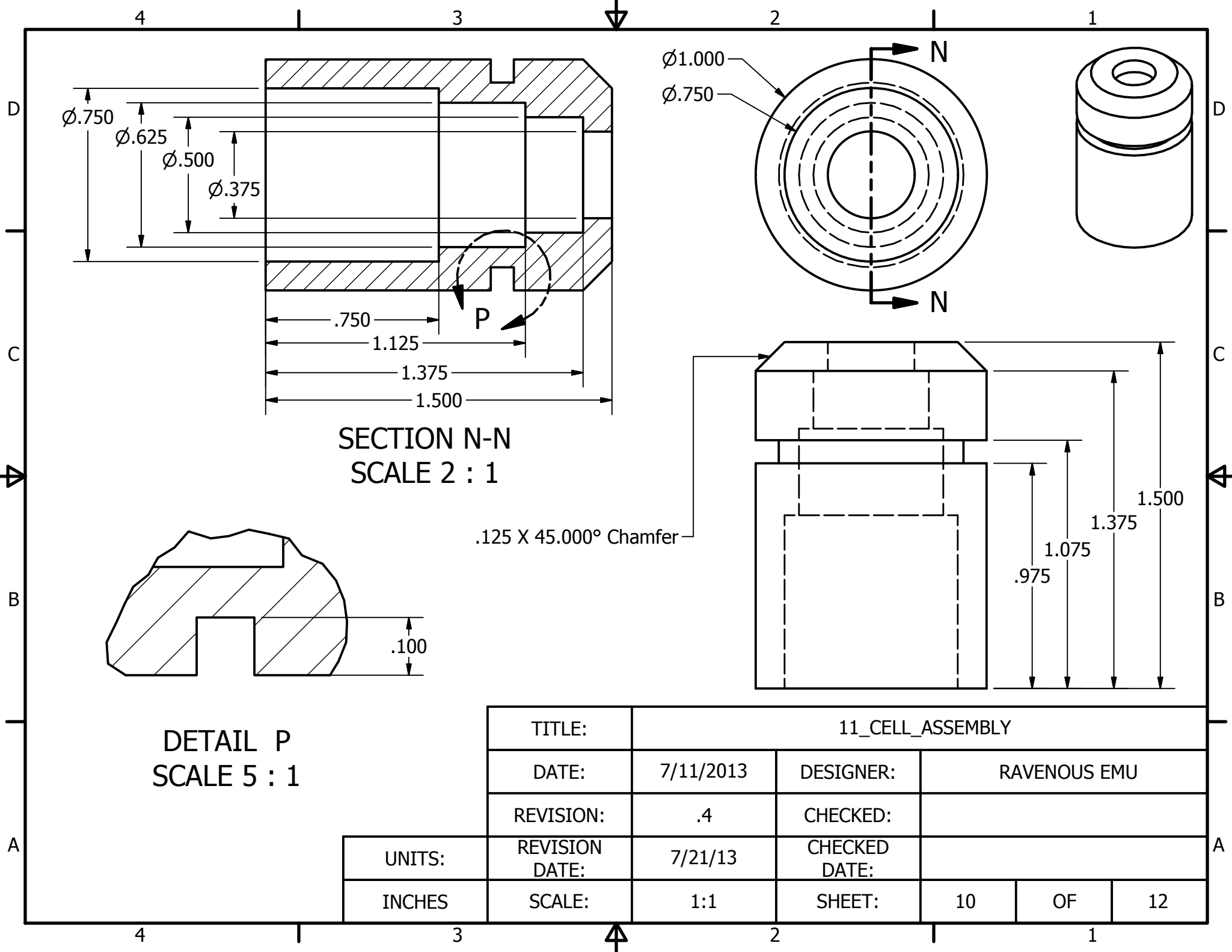
TITLE:	11_CELL_ASSEMBLY						
DATE:	7/11/2013	DESIGNER:	RAVENOUS EMU				
REVISION:	.4	CHECKED:					
UNITS:	REVISION DATE:	CHECKED DATE:					
INCHES	SCALE:	1:4	SHEET:	7	OF	12	



TITLE:	11_CELL_ASSEMBLY						
DATE:	7/11/2013	DESIGNER:	RAVENOUS EMU				
REVISION:	.4	CHECKED:					
UNITS:	REVISION DATE:	7/21/13	CHECKED DATE:				
INCHES	SCALE:	1:1	SHEET:	8	OF	12	



	TITLE:	11_CELL_ASSEMBLY						
	DATE:	7/11/2013	DESIGNER:	RAVENOUS EMU				
	REVISION:	.4	CHECKED:					
	REVISION DATE:	7/21/13	CHECKED DATE:					
	UNITS:	INCHES	SCALE:	1:1	SHEET:	9	OF	12

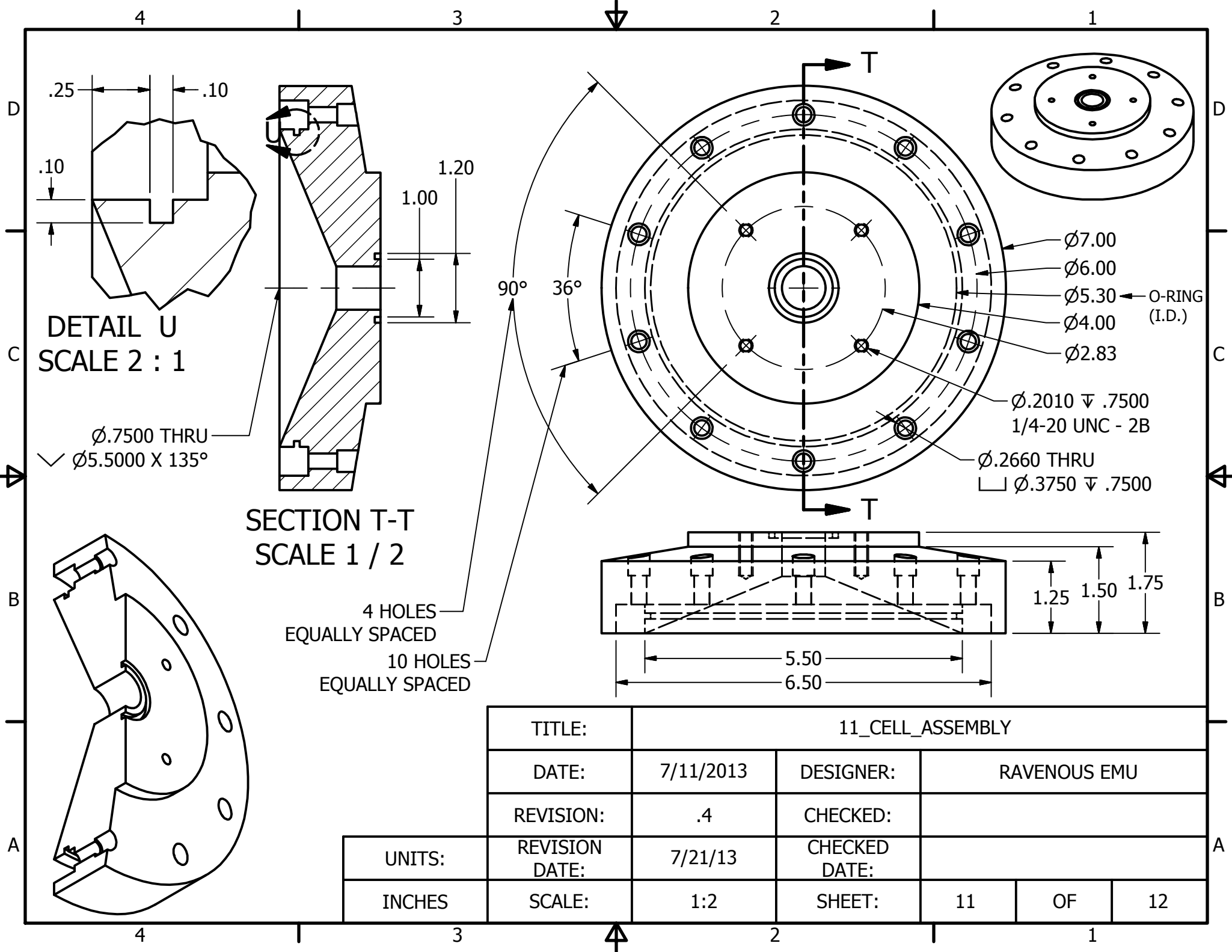


SECTION N-N
SCALE 2 : 1

DETAIL P
SCALE 5 : 1

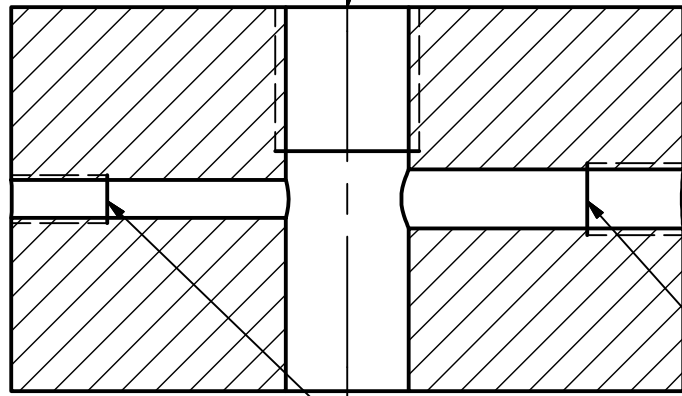
.125 X 45.000° Chamfer

TITLE:	11_CELL_ASSEMBLY						
DATE:	7/11/2013	DESIGNER:	RAVENOUS EMU				
REVISION:	.4	CHECKED:					
UNITS:	REVISION DATE:	CHECKED DATE:					
INCHES	SCALE:	1:1	SHEET:	10	OF	12	



TITLE:		11_CELL_ASSEMBLY					
DATE:		7/11/2013	DESIGNER:		RAVENOUS EMU		
REVISION:		.4	CHECKED:				
UNITS:		REVISION DATE:	7/21/13	CHECKED DATE:			
INCHES		SCALE:	1:2	SHEET:	11	OF	12

SECTION V-V
SCALE 1 : 1

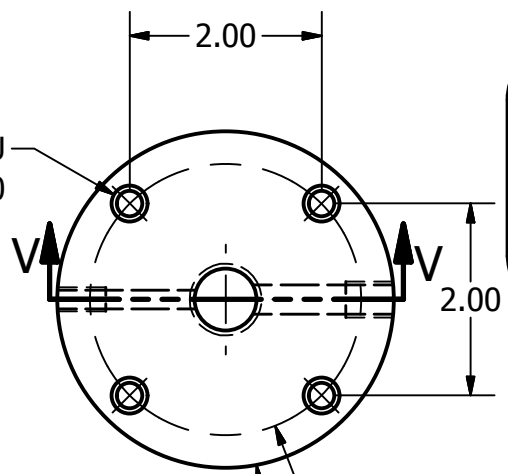


$\varnothing.6562$ THRU
3/4-10 UNC - 2B $\nabla .7500$

$\varnothing.2010$ $\nabla 1.5000$
1/4-20 UNC - 2B $\nabla .5000$

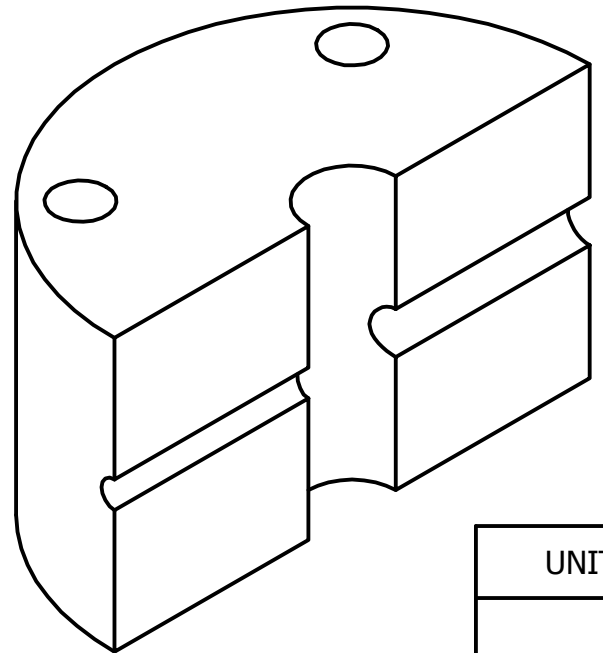
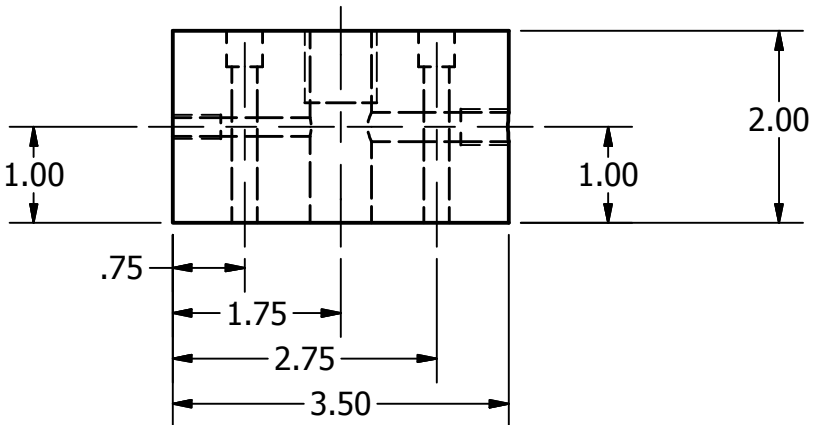
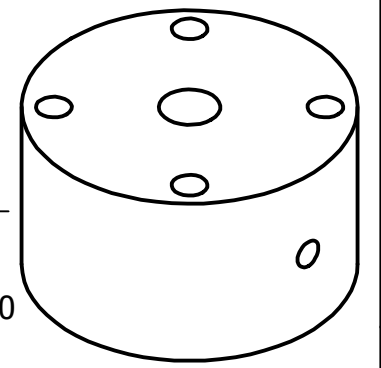
$\varnothing.2660$ THRU
 $\varnothing.3750$ $\nabla .3750$

$\varnothing.3125$ $\nabla 1.5000$
3/8-16 UNC - 2B $\nabla .5000$



$\varnothing 2.8284$

$\varnothing 3.5000$



TITLE:	11_CELL_ASSEMBLY					
DATE:	7/11/2013	DESIGNER:	RAVENOUS EMU			
REVISION:	.4	CHECKED:				
UNITS:	REVISION DATE:	CHECKED DATE:				
	SCALE:	1:2	SHEET:	12	OF	12